



Western Manufacturing Technology Show
June 6 - 8, 2017
Edmonton EXPO Centre

GES is pleased to have been selected the official service contractor by the Show Organizer to design and produce your show. Our goal is to ensure your show participation is a success.

GES is involved in many areas relative to the show and if at any time during the planning process you are unsure where to turn, just ask us, we are at your service.

Please ensure that you review this section carefully as it contains information, **DISCOUNT PRICES** and order forms for each of the many services being provided by **GES**.

For your convenience, we will be offering the following services:

- ✓ **Expresso Online Ordering**
- ✓ **Furnishings**
- ✓ **Carpet & Underpadding**
- ✓ **Specialty Furnishings**
- ✓ **GEM Exhibits & Accessories**
- ✓ **Signs & Graphics**
- ✓ **Plants**
- ✓ **Installation & Dismantling Labour**
- ✓ **In-Booth Forklift**
- ✓ **Material Handling**

To take advantage of our **DISCOUNT PRICING**, all order forms and full payment must be received on or before the Discount Date of **May 17, 2017** as indicated on each form. **GES** accepts Visa, MasterCard, American Express, Cheques and Cash as methods of payment for our services. All exhibitors are responsible for payment of GST when exhibiting in Alberta.

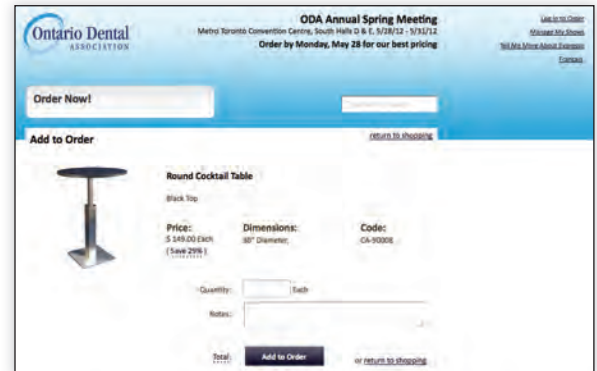
If you need assistance or additional information, please contact our **Exhibitor Services Department at 780-469-7767**



Accelerate your experience with Expresso exhibit planning, ordering and management.

Exhibitors can order everything they need for their tradeshow exhibit through Expresso, our simple to navigate, picture-driven system that satisfies your need for speed. With just a few clicks exhibitors can order GES products and services including:

- Booth furniture.
- Carpet and flooring.
- Material handling.
- Booth labour.
- And much more.



Expresso is more than just an online exhibitor manual. Exhibitors can:

- Order exhibit products and services.
- Print shipping labels.
- View important show and event information.
- Download the show schedule into Outlook or iCalendar.
- View account order status and history.



Experience a difference with Expresso.

- Each show has their own custom website.
- Runs on all browsers for PCs, Macs and tablets.
- Everything in one place; all organizer and show information, ordering and even third party forms.
- Keeps you on-time and on-budget.





Show Information

Western Manufacturing Technology Show

Edmonton EXPO Centre

June 6 - 8, 2017

Venue Shipping Address

Venue

Edmonton EXPO Centre
7300 -- 118 Ave NW
Edmonton, AB
T5B 4X4

* See shipping label in the exhibitor manual. Note receiving dates below.

Official Services Contractor

GES Canada Limited	Phone	780-469-7767
7730 - 34 St SW	Fax	780-469-1619
Edmonton, Alberta, Canada	Web Site	www.ges.com/ca
T6B 3J6	E-Mail	edmonton@ges.com

Show Information

Backwall Drrape	Black
Sidewall Drrape	Black
Aisle Carpet Colour	Cayenne
Booth Packages Includes	Back wall and side wall drape

Move-In

All drivers are required to check-in with GES at Door C1 at Edmonton EXPO Centre, Northlands

Move-In, Heavy Machinery Only	Thursday, June 1st	12:00pm - 4:00pm
Move-In, Heavy Machinery Only	Friday, June 2nd	8:00am - 4:00pm
Move-In	Saturday, June 3rd	8:00am - 4:00pm
Move-In	Sunday, June 4th	10:00am - 4:00pm
Move-In	Monday, June 5th	10:00am - 4:00pm

***All exhibits must be complete by 4:00pm, Monday, June 5th.** Aisle Carpets will be laid at 4:00pm and absolutely no dollies or pump trucks will be permitted in the exhibit area after that time.

Show

Show Day 1	Tuesday, June 6th	10:00am - 5:00pm
Show Day 2	Wednesday, June 7th	10:00am - 6:00pm
Show Day 3	Thursday, June 8th	10:00am - 4:00pm

Move-Out

Move-out	Thursday, June 8th	4:00pm - 10:00pm
Move-out, Heavy Machinery	Friday, June 9th	8:00am - 4:00pm

AFTER aisle carpets have been removed on Thursday, June 8th at approximately 5:00pm, all materials in storage will be returned to the booths.

ALL exhibits must be removed by 4:00pm on Friday, June 9th.

SHOW NAME:	Western Manufacturing Technology Show	DISCOUNT PRICE	May 17, 2017
SHOW DATE:	June 6 - 8, 2017	DEADLINE DATE:	

TO:	GES Edmonton
FAX:	780-469-1619
EMAIL:	edmonton@ges.com
DATE:	_____
FROM:	_____
COMPANY:	_____
PHONE:	_____
EMAIL:	_____
SHOW NAME:	_____
BOOTH #:	_____



To help us ensure we have received your entire order and we have the correct totals, check off those forms you are sending us and complete value section for each form

	GES ORDER FORM (s)	Pg. Total
<input type="checkbox"/>	Credit Card Authorization	\$
<input type="checkbox"/>	Third Party Billing	\$
<input type="checkbox"/>	Furnishings	\$
<input type="checkbox"/>	Speciality Furnishings	\$
<input type="checkbox"/>	Carpet & Underpadding	\$
<input type="checkbox"/>	Booth Cleaning	\$
<input type="checkbox"/>	Plants	\$
<input type="checkbox"/>	Modular Exhibit System Rentals	\$
<input type="checkbox"/>	Modular Exhibit System Accessories	\$
<input type="checkbox"/>	Graphics	\$
<input type="checkbox"/>	Installation & Dismantle Services	\$
<input type="checkbox"/>	In-Booth Forklifting	\$
<input type="checkbox"/>	Material Handling	\$
<input type="checkbox"/>	Logistics	\$
<input type="checkbox"/>	Electrical	\$

Please call to confirm receipt of your order.

To receive Discount Pricing send your order in by the Discount Price Deadline Date noted above.

THANK YOU FROM GES



PAYMENT POLICY INFORMATION SHEET

7730 - 34 Street NW, Edmonton, AB T6B 3J6 Phone: 780.469.7767 Fax: 780.469.1619 Toll Free: 877.505.7767 edmonton@ges.com

SHOW NAME:	Western Manufacturing Technology Show	DISCOUNT PRICE	
SHOW DATE:	June 6 - 8, 2017	DEADLINE DATE:	May 17, 2017

Discount Pricing:

To qualify for **Discount Pricing**, orders must be received **with payment in full on or before the deadline date**. Late orders will be charged the **Regular Price**. Orders without payment cannot be processed until payment is received and may be charged the **Regular Price**.

Method of Payment:

GES accepts American Express, MasterCard, Visa, Cheque and Bank Wire Transfers. Purchase Orders are not considered payment. **Exhibitors will be charged a \$25.00 fee for returned NSF cheques.**

Bank Wire Transfer Information:

To properly credit your account, please complete the **BANK WIRE TRANSFER FORM**, available upon request, and send the following information to the GES Exposition Services (Canada) Limited address listed on the Bank Wire Transfer Form.

NOTE: There is a minimum \$20.00 Service Charge (North America) & \$40.00 (International) applicable on all wire transfers. Fees vary depending on banks processing wire transfers. Also, wire transfers can take 3 to 10 business days to be cleared. Ensure you leave enough time to receive the benefit of the discount. Orders are not processed until payment is received, this includes wire transfers.

PAYMENT SCHEDULE:

Payment for all services must be pre-paid in full. GES will not provide Material Handling, In-Booth Forklifts, or Installation and Dismantle Labour Services without a company's **CREDIT CARD AUTHORIZATION FORM** on file.

THIRD PARTY BILLING:

Arrangements can be made for an exhibit house or other agent to manage exhibit & order services. GES will agree to this arrangement if the exhibit house or agent makes satisfactory payment arrangements prior to start of move-in. In the event the authorized Third Party does not pay, the exhibiting company is ultimately responsible for all charges incurred on its behalf. See **THIRD PARTY BILLING REQUEST FORM**.

ADJUSTMENTS AND CANCELLATIONS:

Adjustments to invoice(s) **will not be made after the close of the show**. Some items, services and labour are subject to cancellation fees. Refer to each order form for details.

EXHIBITORS MUST PAY APPLICABLE TAXES ON ALL ORDERS.

EXHIBITORS ARE RESPONSIBLE FOR ANY UNPAID ORDERS. ALL ORDERS MUST BE PAID IN FULL PRIOR TO RELEASE OF GOODS FROM THE SHOW FLOOR



CREDIT CARD AUTHORIZATION FORM

7730 - 34 Street NW, Edmonton, AB T6B 3J6 Phone: 780.469.7767 Fax: 780.469.1619 Toll Free: 877.505.7767 edmonton@ges.com

SHOW NAME: Western Manufacturing Technology Show

SHOW DATE: June 6 - 8, 2017

DISCOUNT PRICE
DEADLINE DATE:

Wednesday, May 17, 2017

EXHIBITOR INFORMATION

IMPORTANT - READ CAREFULLY

BOOTH #: _____

COMPANY: _____

STREET: _____

CITY: _____ PROV/STATE: _____ CODE: _____

EMAIL: _____

PHONE: _____ FAX: _____

CONTACT NAME: _____

PLEASE FILL OUT THE CREDIT CARD AUTHORIZATION BELOW IF:

- Paying by Credit Card for any service.
- Payment is being forwarded to GES in the form of a cheque.
- There is any possibility that additional service(s) will be ordered on-site.
- Material Handling, Installation and Dismantle Labour or In-Booth Forklift Services will be required.

PLEASE COMPLETE THE FOLLOWING

VISA AMERICAN EXPRESS MASTERCARD EXPIRY DATE:

TYPE OF CARD PERSONAL CORPORATE

CARD #

CARDHOLDER'S NAME (PRINT): _____

CARDHOLDER'S SIGNATURE: _____

CARDHOLDER'S BILLING ADDRESS: _____

CITY: _____ PROV/STATE: _____ CODE/ZIP: _____

TELEPHONE: _____ FAX: _____

This authorization allows GES to charge any fees outstanding after show closing to this credit card.
(including funds owed due to a cheque returned NSF)

CHEQUES WILL NOT BE ACCEPTED WITHOUT THIS CREDIT CARD AUTHORIZATION

IF THIS AUTHORIZATION IS NOT COMPLETED, ALL ON-SITE ORDERS ARE EXPECTED TO BE PAID IN FULL BEFORE DELIVERY

PLEASE SEE NOTE REGARDING GES TERMS AND CONDITIONS BELOW

All equipment rental orders placed with GES are bound by the terms and conditions specific to each rental order form, material handling terms and conditions and GES standard terms and conditions located at the back of this kit. By signing below, you agree to all these terms and conditions. Without an authorized signature and date below, your order will not be processed.

I HAVE READ AND UNDERSTAND THE TERMS & CONDITIONS OF MY AGREEMENT WITH GES.

Signature

Print Name & Title

Date



THIRD PARTY BILLING AUTHORIZATION FORM

7730 - 34 Street NW, Edmonton, AB T6B 3J6 Phone: 780.469.7767 Fax: 780.469.1619 Toll Free: 877.505.7767 edmonton@ges.com

SHOW NAME: Western Manufacturing Technology Show
SHOW DATE: June 6 - 8, 2017

DISCOUNT PRICE DEADLINE DATE: Wednesday, May 17, 2017

EXHIBITOR INFORMATION

IMPORTANT - READ CAREFULLY

BOOTH #: _____

COMPANY: _____

STREET: _____

CITY: _____ PROV/STATE: _____ CODE: _____

EMAIL: _____

PHONE: _____ FAX: _____

CONTACT NAME: _____

An exhibit house or other third party agent may handle display and booth arrangements and be charged for services. GES will agree to this arrangement if the exhibit house or agent makes satisfactory arrangements.

Both firms must complete this form and return to GES by the Discount Price Deadline Date. It is understood and agreed that the exhibitor (exhibiting company) is ultimately responsible for payment of charges. If the named third party has NOT paid any outstanding invoices before the last day of the show, any and all outstanding balances will be charged to the exhibiting company's credit card.

Exhibiting Company

Name of Exhibiting Company Phone# Fax #

Address City Prov / State Code / Zip

Authorized Name (Print) Authorized Signature

CREDIT CARD AUTHORIZATION

VISA AMERICAN EXPRESS MASTERCARD EXPIRY DATE: _____

TYPE OF CARD PERSONAL CORPORATE

CARD #

CARDHOLDER'S NAME (PRINT): _____

CARDHOLDER'S SIGNATURE: _____

Third Party / Exhibit House

Name of Third Party / Exhibit House Phone# Fax #

Address City Prov / State Code / Zip

Authorized Name (Print) Authorized Signature

CREDIT CARD AUTHORIZATION

VISA AMERICAN EXPRESS MASTERCARD EXPIRY DATE: _____

TYPE OF CARD PERSONAL CORPORATE

CARD #

CARDHOLDER'S NAME (PRINT): _____

CARDHOLDER'S SIGNATURE: _____

ALL GES SERVICES ARE TO BE CHARGED TO THE THIRD PARTY / EXHIBIT HOUSE EXCEPT FOR THE FOLLOWING:

PLEASE SEE NOTE REGARDING GES TERMS AND CONDITIONS BELOW

All equipment rental orders placed with GES are bound by the terms and conditions specific to each rental order form, material handling terms and conditions and GES standard terms and conditions located at the back of this kit. By signing below, you agree to all these terms and conditions. Without an authorized signature and date below, your order will not be processed.

I HAVE READ AND UNDERSTAND THE TERMS & CONDITIONS OF MY AGREEMENT WITH GES.

Signature Print Name & Title Date



DISCOUNT BOOTH PACKAGE ORDER FORM

7730 - 34 Street NW, Edmonton, AB T6B 3J6

Phone: 780.469.7767

Fax: 780.469.1619

Toll Free: 877.505.7767

edmonton@ges.com www.gesexpo.ca

SHOW: **Western Manufacturing Technology Show**

DISCOUNT PRICE DEADLINE DATE: **May 17, 2017**

EXHIBITOR INFORMATION

BOOTH #: _____

COMPANY _____

STREET _____

CITY _____ PROV/STATE _____ CODE _____

E-MAIL _____

PHONE _____ FAX _____

CONTACT NAME _____

CREDIT CARD AUTHORIZATION

MASTERCARD VISA AMEX

_____|_____|_____|_____|_____|_____|_____|_____|

EXPIRY DATE ____/____/____

CARDHOLDER NAME _____

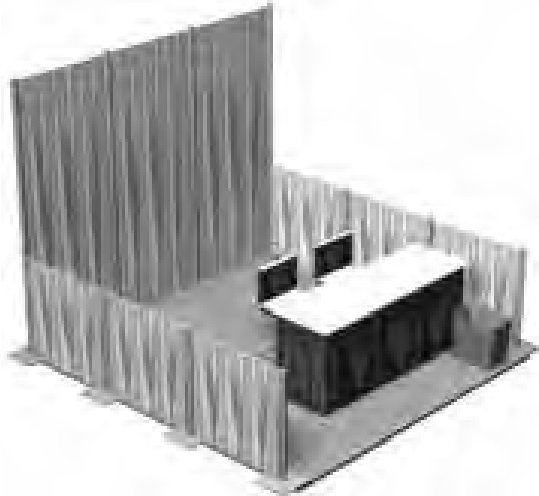
CARDHOLDER SIGNATURE _____

CHEQUE ATTACHED (PAYABLE TO GES CANADA)

DISCOUNT BOOTH PACKAGES

Quantity	Description	Discount Price	Regular Price	Total Price
	Package A - 10' x 10'	\$299.00	\$450.00	
	Package B - 10' x 20'	\$399.00	\$599.00	

Table Colour: BLACK BLUE RED WHITE **Carpet Colour:** BLACK BLUE GREY RED



PACKAGE A: 10' x 10'

- 1 - 6' Skirted Table (choice of colour)
- 2 Fabric Side Chairs
- 1 Wastebasket
- 1 - 10' x 10' Carpet (choice of colour)

PACKAGE B: 10' x 20'

- 1 - 6' Skirted Table (choice of colour)
- 2 Fabric Side Chairs
- 1 Wastebasket
- 1 - 10' x 20' Carpet (choice of colour)

ALL ORDERS MUST BE PREPAID IN FULL (ORDERS CAN NOT BE PROCESSED UNTIL PAYMENT IS RECEIVED)

Terms & Conditions

- Payment may be made by cheque up to two weeks prior to the 1st day of move in.
- All orders received after the Discount Price Date will be processed at the Regular Price.
- Exhibitor is responsible for all items for the duration of the show.
- Charges are for rental of equipment only. All items remain the property of GES.
- GES is not responsible for exhibit materials left in GEM rental exhibits or counter storage units.
- No refunds/exchanges once show move-in begins. All claims or discrepancies must be settled prior to show closing.

SUBTOTAL	_____
5% GST	_____
TOTAL	_____

I have read and understand the Terms & Conditions of my Agreement with GES.

Signature

Date



FURNISHINGS ORDER FORM

7730 - 34 Street NW, Edmonton, AB T6B 3J6 Phone: 780.469.7767 Fax: 780.469.1619 Toll Free: 877.505.7767 edmonton@ges.com

SHOW NAME: **Western Manufacturing Technology Show**
SHOW DATE: **June 6 - 8, 2017**

DISCOUNT PRICE DEADLINE DATE: **Wednesday, May 17, 2017**

EXHIBITOR INFORMATION

CREDIT CARD AUTHORIZATION

BOOTH #: _____

COMPANY: _____

STREET: _____

CITY: _____ PROV/STATE: _____ CODE: _____

EMAIL: _____

PHONE: _____ FAX: _____

CONTACT NAME: _____

NO ORDER WILL BE CONSIDERED FINAL UNTIL CREDIT CARD AUTHORIZATION FORM IS COMPLETED AND SUBMITTED WITH THIS FORM.

ALL ORDERS MUST BE PREPAID IN FULL (ORDERS CANNOT BE PROCESSED UNTIL PAYMENT IS RECEIVED)

FURNISHINGS

SKIRTED TABLES 30" HIGH

QTY	DESCRIPTION	DISCOUNT PRICE	REGULAR PRICE	TOTAL	<input type="checkbox"/> BLACK <input type="checkbox"/> BLUE <input type="checkbox"/> SILVER <input type="checkbox"/> WHITE <input type="checkbox"/> RED <input type="checkbox"/> GREEN <input type="checkbox"/> BURGUNDY				
					QTY	DESCRIPTION	DISCOUNT PRICE	REGULAR PRICE	TOTAL
	GREY FABRIC SIDE CHAIR	\$41.00	\$57.00						
	GREY FABRIC COUNTER STOOL	\$89.50	\$125.50			4 FT LONG X 2 FT WIDE	\$85.50	\$119.50	
	GREY FABRIC ARM CHAIR	\$42.00	\$74.50			6 FT LONG X 2 FT WIDE	\$94.00	\$131.50	
	PLASTIC FOLDING CHAIR	\$26.00	\$48.50			8 FT LONG X 2 FT WIDE	\$101.50	\$142.50	
	COFFEE TABLE 18" HIGH ROUND	\$57.00	\$79.50			SKIRTED FOURTH SIDE	\$37.00	\$51.50	

SKIRTED COUNTER 42" HIGH

QTY	DESCRIPTION	DISCOUNT PRICE	REGULAR PRICE	TOTAL	<input type="checkbox"/> BLACK <input type="checkbox"/> BLUE <input type="checkbox"/> SILVER <input type="checkbox"/> WHITE			
					QTY	DESCRIPTION	DISCOUNT PRICE	REGULAR PRICE
	STARBASE TABLE 30" ROUND 30" HIGH	\$74.50	\$104.50					
	COCKTAIL TABLE 30" ROUND 40" HIGH	\$90.00	\$125.50					
	22" X 28" CHROME SIGN HOLDER	\$48.50	\$68.00			4 FT LONG X 2 FT WIDE	\$97.50	\$136.50
	EASEL	\$41.00	\$57.50			6 FT LONG X 2 FT WIDE	\$120.00	\$168.00
	SMALL GOLD BALLOT DRUM	\$74.50	\$104.50			8 FT LONG X 2 FT WIDE	\$147.00	\$206.00
	BAG HOLDER 40" HIGH	\$68.00	\$95.50			SKIRTED FOURTH SIDE	\$37.00	\$51.50

NON SKIRTED 30" HIGH TABLES (VINYL ONLY)

	GARMENT RACK ON WHEELS	\$46.50	\$65.00		<input type="checkbox"/> 4FT <input type="checkbox"/> 6FT <input type="checkbox"/> 8FT	\$68.00	\$95.50	
--	------------------------	---------	---------	--	--	---------	---------	--

NON SKIRTED 42" HIGH TABLES (VINYL ONLY)

	WASTEBASKET	\$22.50	\$32.00					
	BASEPLATE & 8 FT H POLE	\$20.50	\$29.00		<input type="checkbox"/> 4FT <input type="checkbox"/> 6FT <input type="checkbox"/> 8FT	\$109.00	\$153.00	

CUSTOM BOOTH DRAPING

QTY	DESCRIPTION	DISCOUNT PRICE	REGULAR PRICE	TOTAL	<input type="checkbox"/> BLACK <input type="checkbox"/> BLUE <input type="checkbox"/> SILVER <input type="checkbox"/> WHITE <input type="checkbox"/> RED <input type="checkbox"/> GREEN <input type="checkbox"/> BURGUNDY				
					QTY	DESCRIPTION	DISCOUNT PRICE	REGULAR PRICE	TOTAL
	BAR FRIDGE	\$212.00	\$297.00						
						3' HIGH (PER LINEAR FOOT)	\$7.00	\$10.00	
						8' HIGH (PER LINEAR FOOT)	\$8.00	\$11.00	

TERMS AND CONDITIONS

- ALL ORDERS RECEIVED AFTER DISCOUNT PRICE DATE WILL BE PROCESSED AT THE REGULAR PRICE.
- EXHIBITOR IS RESPONSIBLE FOR ALL ITEMS FOR THE DURATION OF THE SHOW.
- IF A COLOUR IS NOT CHOSEN, GES WILL CHOOSE A COLOUR FOR YOU.
- CHARGES ARE FOR RENTAL OF EQUIPMENT ONLY. ALL ITEMS REMAIN THE PROPERTY OF GES.
- GES IS NOT RESPONSIBLE FOR EXHIBIT MATERIALS LEFT IN MODULAR EXHIBIT SYSTEM OR COUNTER STORAGE UNITS.
- ALL CLAIMS OR DISCREPANCIES MUST BE SETTLED AT THE GES SERVICE CENTRE PRIOR TO SHOW CLOSING.
- NO REFUNDS/EXCHANGES ON CANCELLED SKIRTED TABLES OR CUSTOM BOOTH DRAPING ONCE DELIVERED.
- 50% REFUND ON FURNISHINGS CANCELLED PRIOR TO SHOW OPENING EXCEPT AS NOTED ABOVE.

I HAVE READ AND UNDERSTAND THE TERMS & CONDITIONS OF MY AGREEMENT WITH GES.

SUBTOTAL	
GST 5%	
TOTAL	
INCLUDE TOTAL FROM THIS PAGE ON ORDER CHECKLIST SHEET	

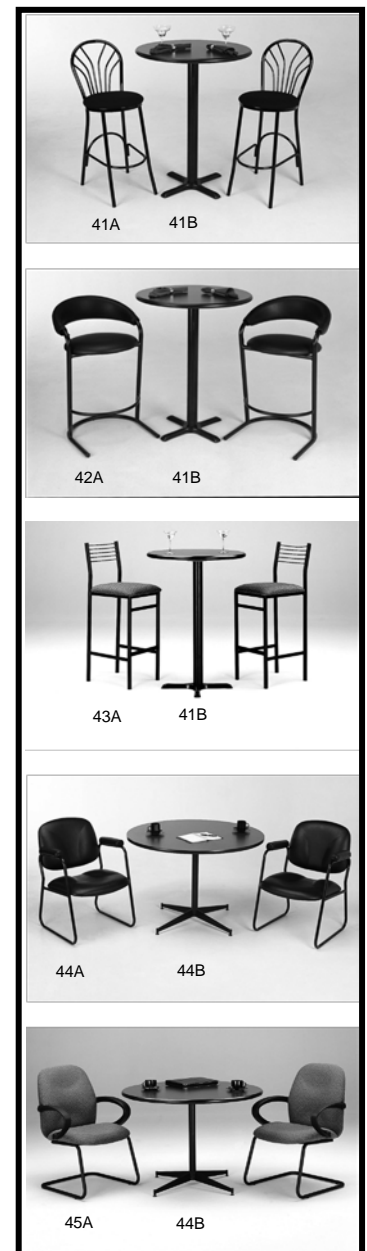
SIGNATURE

DATE

SHOW NAME:	Western Manufacturing Technology Show	DISCOUNT PRICE DEADLINE DATE:	Wednesday, May 17, 2017
SHOW DATE:	June 6 - 8, 2017	CREDIT CARD AUTHORIZATION	
EXHIBITOR INFORMATION			
BOOTH #: _____ COMPANY: _____ STREET: _____ CITY: _____ PROV/STATE: _____ CODE: _____ EMAIL: _____ PHONE: _____ FAX: _____ CONTACT NAME: _____		<p>NO ORDER WILL BE CONSIDERED FINAL UNTIL CREDIT CARD AUTHORIZATION FORM IS COMPLETED AND SUBMITTED WITH THIS FORM</p>	

**ALL ORDERS MUST BE PREPAID IN FULL
(ORDERS CANNOT BE PROCESSED UNTIL PAYMENT IS RECEIVED)**

QTY	ITEM #	DESCRIPTION	DISCOUNT PRICE	REGULAR PRICE	Total
	41A (EFBS)	FANBACK STOOL	\$128.00	\$179.50	
	41B (FPEDT)	COCKTAIL TABLE 30" ROUND 40" HIGH	\$90.00	\$125.50	
	42A (EBLBS)	LEATHER BISTRO STOOL	\$150.50	\$210.50	
	43A (EGFBS)	FABRIC BISTRO STOOL	\$164.50	\$230.00	
	44B (EBMT)	42" MEETING TABLE	\$150.50	\$210.50	
	45A (EGFC)	LEATHER MEETING CHAIR	\$110.50	\$154.50	
	(EBLHC)	EXECUTIVE LEATHER HIGH BACK ROLLING CHAIR	\$146.00	\$204.50	
	(EBLS3)	LEATHER SOFA - 3 SEATER	\$251.00	\$351.50	
	(EBLS2)	LEATHER SOFA - 2 SEATER	\$208.50	\$292.00	
	(EBLS1)	LEATHER SOFA CHAIR - 1 SEAT	\$163.50	\$228.50	
	(ECTC3)	COFFEE TABLE	\$72.50	\$101.50	
	(EETC3)	END TABLES	\$50.50	\$70.50	
	(FLR)	LITERATURE RACK	\$99.50	\$139.50	
	(GGP)	24" X 72" GRID PANEL	\$34.50	\$48.50	



TERMS AND CONDITIONS

- ALL ORDERS RECEIVED AFTER DISCOUNT PRICE DATE WILL BE PROCESSED AT THE REGULAR PRICE.
- EXHIBITOR IS RESPONSIBLE FOR ALL ITEMS FOR THE DURATION OF THE SHOW.
- IF A COLOUR IS NOT CHOSEN, GES WILL CHOOSE A COLOUR FOR YOU.
- CHARGES ARE FOR RENTAL OF EQUIPMENT ONLY. ALL ITEMS REMAIN THE PROPERTY OF GES.
- GES IS NOT RESPONSIBLE FOR EXHIBIT MATERIALS LEFT IN MODULAR EXHIBIT SYSTEM OR COUNTER STORAGE UNITS.
- ALL CLAIMS OR DISCREPANCIES MUST BE SETTLED AT THE GES SERVICE CENTRE PRIOR TO SHOW CLOSING.
- NO REFUNDS/EXCHANGES ON CANCELLED SKIRTED TABLES OR CUSOM BOOTH DRAPING ONCE DELIVERED.
- 50% REFUND ON FURNISHINGS CANCELLED PRIOR TO SHOW OPENING EXCEPT AS NOTED ABOVE.

I HAVE READ AND UNDERSTAND THE TERMS & CONDITIONS OF MY AGREEMENT WITH GES.

SUBTOTAL	
GST 5%	
TOTAL	
INCLUDE TOTAL FROM THIS PAGE ON ORDER CHECKLIST SHEET	



furnishings



Grey Fabric Side Chair



Grey Fabric Counter Stool



Grey Fabric Arm Chair



Steno Chair



30" Round / 30" High Starbase Table



30" Round / 18" High Coffee Table



4' and 6' Long Skirted Counter with White Vinyl Top



4', 6', or 8' Long Skirted Table with White Vinyl Top





furnishings



22" W X 28" H
Chrome Sign Holder
(sign extra)



Easel

Gold Ballot Drum



Plexi Pocket
(Wall Mountable only,
not self-standing)



40" W x 20" D x 41" H
White Counter Storage Unit



Bag Holder 41" H



Stanchions
6' Belt



Plastic
Wastebasket





CARPET ORDER FORM

7730 - 34 Street NW, Edmonton, AB T6B 3J6 Phone: 780.469.7767 Fax: 780.469.1619 Toll Free: 877.505.7767 edmonton@ges.com

SHOW NAME:	Western Manufacturing Technology Show	DISCOUNT PRICE DEADLINE DATE:	Wednesday, May 17, 2017
SHOW DATE:	June 6 - 8, 2017		

EXHIBITOR INFORMATION

BOOTH #: _____

COMPANY: _____

STREET: _____

CITY: _____ PROV/STATE: _____ CODE: _____

EMAIL: _____

PHONE: _____ FAX: _____

CONTACT NAME: _____

CREDIT CARD AUTHORIZATION

NO ORDER WILL BE CONSIDERED FINAL UNTIL CREDIT CARD AUTHORIZATION FORM IS COMPLETED AND SUBMITTED WITH THIS FORM.

ALL ORDERS MUST BE PREPAID IN FULL
(ORDERS CANNOT BE PROCESSED UNTIL PAYMENT IS RECEIVED)

BOOTH CARPET - STANDARD SIZE

PLEASE NOTE: CARPET WILL BE INSTALLED CLEAN, SHOULD EXHIBITOR REQUIRE ADDITIONAL CLEANING AFTER SETUP, AN INITIAL CLEANING FEE WILL APPLY. ORDERING MULTIPLE PIECES OF CARPET IN THIS SECTION MAY NOT RECEIVE THE SAME DYELOT.

QTY.	DESCRIPTION	DISCOUNT PRICE	REGULAR PRICE	TOTAL
	10 X 10 INLINE	\$187.00	\$262.00	
	10 X 20 INLINE	\$360.00	\$504.50	
	10 X 30 INLINE (STRAIGHT LINE)	\$527.00	\$738.00	

COLOUR SELECTION: BLACK BLUE GREY RED GREEN

BOOTH CARPET - CUSTOM SIZE (Including Plastic Covering)

IF YOUR BOOTH REQUIRES A SIZE NOT LISTED ABOVE, PLEASE COMPLETE THIS SECTION. PLEASE NOTE: CARPET WILL BE INSTALLED CLEAN, SHOULD EXHIBITOR REQUIRE ADDITIONAL CLEANING AFTER SETUP, AN INITIAL CLEANING FEE WILL APPLY.

BOOTH SIZE: _____ FT. X _____ FT. = _____ SQ. FT.	\$2.69	\$3.77	
---	--------	--------	--

COLOUR SELECTION: BLACK BLUE GREY RED GREEN

UNDERPADDING - PRICE PER SQUARE FOOT INSTALLED (100 SQ. FT. MIN.)

BOOTH SIZE: _____ FT. X _____ FT. = _____ SQ. FT.	\$1.16	\$1.63	
---	--------	--------	--

PLEASE SELECT ONE FOR STANDARD OR CUSTOM SIZE CARPETS

IF ORDERING ELECTRICAL OR TELECOMMUNICATIONS SERVICES, WILL UNDER CARPET WIRING BE REQUIRED?

YES NO

TERMS AND CONDITIONS

- ALL ORDERS RECEIVED AFTER DISCOUNT PRICE DATE WILL BE PROCESSED AT THE REGULAR PRICE.
- EXHIBITOR IS RESPONSIBLE FOR ALL ITEMS FOR THE DURATION OF THE SHOW.
- NO REFUNDS/EXCHANGES ON CARPETS ONCE DELIVERED.
- CHARGES ARE FOR RENTAL OF EQUIPMENT ONLY. ALL ITEMS REMAIN THE PROPERTY OF GES.
- ALL CLAIMS OR DISCREPANCIES MUST BE SETTLED AT THE GES SERVICE CENTRE PRIOR TO SHOW CLOSING.
- IF A COLOUR IS NOT CHOSEN, GES WILL CHOOSE A COLOUR FOR YOU. CARPET COLOUR SUBJECT TO AVAILABILITY

SUBTOTAL	
GST 5%	
TOTAL	
INCLUDE TOTAL FROM THIS PAGE ON ORDER CHECKLIST SHEET	

I HAVE READ AND UNDERSTAND THE TERMS & CONDITIONS OF MY AGREEMENT WITH GES.

SIGNATURE

DATE

7730 - 34 Street NW, Edmonton, AB T6B 3J6 Phone: 780.469.7767 Fax: 780.469.1619 Toll Free: 877.505.7767 edmonton@ges.com

SHOW NAME:	Western Manufacturing Technology Show	DISCOUNT PRICE DEADLINE DATE:	Wednesday, May 17, 2017
SHOW DATE:	June 6 - 8, 2017		

EXHIBITOR INFORMATION	CREDIT CARD AUTHORIZATION
<p>BOOTH #: _____</p> <p>COMPANY: _____</p> <p>STREET: _____</p> <p>CITY: _____ PROV/STATE: _____ CODE: _____</p> <p>EMAIL: _____</p> <p>PHONE: _____ FAX: _____</p> <p>CONTACT NAME: _____</p>	<p>NO ORDER WILL BE CONSIDERED FINAL UNTIL CREDIT CARD AUTHORIZATION FORM IS COMPLETED AND SUBMITTED WITH THIS FORM.</p>

**ALL ORDERS MUST BE PREPAID IN FULL
(ORDERS CANNOT BE PROCESSED UNTIL PAYMENT IS RECEIVED)**

PLEASE NOTE: CARPET WILL BE INSTALLED CLEAN, SHOULD EXHIBITOR REQUIRE ADDITIONAL CLEANING AFTER SETUP, AN INITIAL CLEANING FEE WILL APPLY.

INITIAL CLEANING SERVICES		DAILY CLEANING SERVICES			ADDITIONAL CLEANING SERVICES	
COMPLETED EVENING PRIOR TO SHOW OPENING		COMPLETED PRIOR TO SHOW OPENING AND EVERY NIGHT AT SHOW CLOSE DURING THE DURATION OF THE SHOW			COMPLETED UPON REQUEST	
CARPETS VACUUMED WASTEBASKETS EMPTIED		CARPETS VACUUMED WASTEBASKETS EMPTIED			FOR CARPET IN NEED OF SPECIAL ATTENTION DUE TO FOOD SAMPLING, DEMONSTRATIONS, HAIR, WOOD, METAL SHAVINGS, GREASE OR PAINT.	
BOOTH CARPET - CUSTOM SIZE		RATES / SQ.FT.			RATES / SQ.FT	
DISCOUNT PRICE	REGULAR PRICE	BOOTH SQ. FT	DISCOUNT PRICE	REGULAR PRICE	DISCOUNT PRICE	REGULAR PRICE
\$0.37	\$0.52	50 - 600 SQ.FT.	\$0.56	\$0.78	CALL FOR QUOTATION	N/A
		601 - 1000 SQ.FT.	\$0.47	\$0.66		
		OVER 1000 SQ.FT	\$0.39	\$0.55		
CHIP DRUM REMOVAL		DISCOUNT PRICE	REGULAR PRICE	# OF DAYS	# OF DRUMS	
\$44 PER DRUM		\$44.00	\$62.00			
SELECT SERVICE REQUIRED:		<input type="checkbox"/> Initial Cleaning	<input type="checkbox"/> Daily Cleaning		<input type="checkbox"/> Additional Services	
		@			=	
		Total Sq.Ft. of Booth	Price per sq.ft.		Total	

TERMS AND CONDITIONS

- ALL ORDERS RECEIVED AFTER DISCOUNT PRICE DATE WILL BE PROCESSED AT THE REGULAR PRICE.
- NO CANCELLATIONS AFTER MOVE-IN BEGINS.
- ALL CLAIMS OR DISCREPANCIES MUST BE SETTLED AT THE GES SERVICE CENTRE PRIOR TO SHOW CLOSING.
- ALL ORDERS ARE GOVERNED BY GES LIMITS OF LIABILITY AND RESPONSIBILITY.

SUBTOTAL	
GST 5%	
TOTAL	
INCLUDE TOTAL FROM THIS PAGE ON ORDER CHECKLIST SHEET	

I HAVE READ AND UNDERSTAND THE TERMS & CONDITIONS OF MY AGREEMENT WITH GES.

SIGNATURE

DATE

SHOW NAME:	Western Manufacturing Technology Show	DISCOUNT PRICE DEADLINE DATE:	Wednesday, May 17, 2017
SHOW DATE:	June 6 - 8, 2017		

EXHIBITOR INFORMATION	CREDIT CARD AUTHORIZATION
<p>BOOTH #: _____</p> <p>COMPANY: _____</p> <p>STREET: _____</p> <p>CITY: _____ PROV/STATE: _____ CODE: _____</p> <p>EMAIL: _____</p> <p>PHONE: _____ FAX: _____</p> <p>CONTACT NAME: _____</p>	<p>NO ORDER WILL BE CONSIDERED FINAL UNTIL CREDIT CARD AUTHORIZATION FORM IS COMPLETED AND SUBMITTED WITH THIS FORM</p>

**ALL ORDERS MUST BE PREPAID IN FULL
(ORDERS CANNOT BE PROCESSED UNTIL PAYMENT IS RECEIVED)**

Create a Lasting Impression!



GREEN FLOOR PLANTS				
QTY	DESCRIPTION	DISCOUNT	REGULAR	TOTAL
	2 FT. TO 5 FT. TALL	\$65.00	\$91.00	
	6 FT. TO 8 FT. TALL	\$108.00	\$151.50	
	9 FT. TO 10 FT. TALL (INDOOR TREE)	CALL FOR QUOTE		
GREEN TABLE PLANTS				
	BOSTON FERN	\$57.00	\$79.50	
	TABLE PLANT - 10"	\$51.00	\$71.00	
	MUMS	\$37.00	\$51.50	
FLOWERING PLANTS & SPECIAL REQUESTS				
	STANDARD FRESH FLOWERS	CALL FOR QUOTE		
	PREMIUM FRESH FLOWERS			
	EXOTIC ARRANGEMENT			



PLEASE NOTE: Prices for flowering plants may change depending on type of flowers requested. Please List below the types of flowers you require along with any specific instructions and our Exhibitor Service Department will check on availability and price. If nothing listed, GES will provide an arrangement based on show location and time of year.

TERMS AND CONDITIONS

ALL ORDERS RECEIVED AFTER DISCOUNT PRICE DATE WILL BE PROCESSED AT THE REGULAR PRICE.
 EXHIBITOR IS RESPONSIBLE FOR ALL ITEMS FOR THE DURATION OF THE SHOW. NO REFUNDS, EXCHANGES OR CANCELLATIONS ON SITE.
 CHARGES ARE FOR RENTAL OF EQUIPMENT ONLY. ALL ITEMS REMAIN THE PROPERTY OF GES.
 ALL CLAIMS OR DISCREPANCIES MUST BE SETTLED AT THE GES SERVICE CENTRE PRIOR TO SHOW CLOSING.

SUBTOTAL	
GST 5%	
TOTAL	
INCLUDE TOTAL FROM THIS PAGE ON ORDER CHECKLIST SHEET	

I HAVE READ AND UNDERSTAND THE TERMS & CONDITIONS OF MY AGREEMENT WITH GES.

SIGNATURE

DATE



**MODULAR EXHIBIT SYSTEM
SHOW SPECIAL
ORDER FORM**

7730 - 34 Street NW, Edmonton, AB T6B 3J6 Phone: 780.469.7767 Fax: 780.469.1619 Toll Free: 877.505.7767 edmonton@ges.com

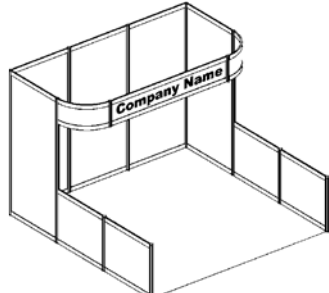
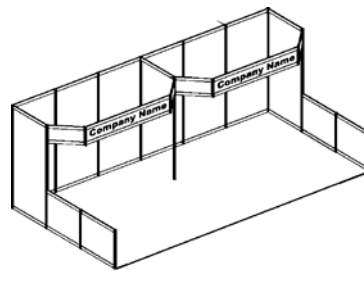
SHOW NAME:	Western Manufacturing Technology Show	DISCOUNT PRICE	
SHOW DATE:	June 6 - 8, 2017	DEADLINE DATE:	Wednesday, May 17, 2017

EXHIBITOR INFORMATION		CREDIT CARD AUTHORIZATION	
BOOTH #: _____ COMPANY: _____ STREET: _____ CITY: _____ PROV/STATE: _____ CODE: _____ EMAIL: _____ PHONE: _____ FAX: _____ CONTACT NAME: _____		<p>NO ORDER WILL BE CONSIDERED FINAL UNTIL CREDIT CARD AUTHORIZATION FORM IS COMPLETED AND SUBMITTED WITH THIS FORM</p>	

**ALL ORDERS MUST BE PREPAID IN FULL
(ORDERS CANNOT BE PROCESSED UNTIL PAYMENT IS RECEIVED)**

SHOW SPECIAL !

➔ **SPEND LESS**
➔ **SELL MORE**
➔ **LOOK GREAT**

	<p>INSTALLED & DISMANTLED READY BEFORE YOU ARRIVE</p> <p>NO LABOUR COSTS NO TRUCKING COSTS NO MATERIAL HANDLING COSTS</p> <p>INCLUDES CARPET</p> <p>INCLUDES HEADER SIGN(S)</p> <p>WHITE PANELS</p> <p>ACCESSORIES AVAILABLE</p>																					
<table border="1"> <tr> <td>DISCOUNT PRICE</td> <td>\$980.00</td> </tr> <tr> <td colspan="2">PACKAGE A: 10' X 10' BOOTH INCLUDES:</td> </tr> <tr> <td colspan="2">- HEADER SIGN 11.25" X 116.25"</td> </tr> <tr> <td colspan="2">- COLOR COORDINATED 10' X 10' CARPET</td> </tr> <tr> <td>REGULAR PRICE</td> <td>\$1,470.00</td> </tr> </table>	DISCOUNT PRICE	\$980.00	PACKAGE A: 10' X 10' BOOTH INCLUDES:		- HEADER SIGN 11.25" X 116.25"		- COLOR COORDINATED 10' X 10' CARPET		REGULAR PRICE	\$1,470.00		<table border="1"> <tr> <td>DISCOUNT PRICE</td> <td>\$1,557.50</td> </tr> <tr> <td colspan="2">PACKAGE B: 10' X 20' BOOTH INCLUDES:</td> </tr> <tr> <td colspan="2">- 2 HEADER SIGNS 11.25" X 116.25½"</td> </tr> <tr> <td colspan="2">- COLOR COORDINATED 10' X 20' CARPET</td> </tr> <tr> <td>REGULAR PRICE</td> <td>\$2,180.50</td> </tr> </table>	DISCOUNT PRICE	\$1,557.50	PACKAGE B: 10' X 20' BOOTH INCLUDES:		- 2 HEADER SIGNS 11.25" X 116.25½"		- COLOR COORDINATED 10' X 20' CARPET		REGULAR PRICE	\$2,180.50
DISCOUNT PRICE	\$980.00																					
PACKAGE A: 10' X 10' BOOTH INCLUDES:																						
- HEADER SIGN 11.25" X 116.25"																						
- COLOR COORDINATED 10' X 10' CARPET																						
REGULAR PRICE	\$1,470.00																					
DISCOUNT PRICE	\$1,557.50																					
PACKAGE B: 10' X 20' BOOTH INCLUDES:																						
- 2 HEADER SIGNS 11.25" X 116.25½"																						
- COLOR COORDINATED 10' X 20' CARPET																						
REGULAR PRICE	\$2,180.50																					

INDICATE DATE AND TIME YOU PLAN TO ARRIVE TO MERCHANDISE YOUR EXHIBIT

PLEASE COMPLETE THE FOLLOWING:	DATE	TIME
SIZE ORDERED: <input type="checkbox"/> PACKAGE A (10 X 10) <input type="checkbox"/> PACKAGE B (10 X 20) CARPET COLOUR: <input type="checkbox"/> BLACK <input type="checkbox"/> GREY <input type="checkbox"/> BLUE <input type="checkbox"/> GREEN <input type="checkbox"/> RED		
PACKAGE A IDENTIFICATION SIGN TO READ: _____ PACKAGE B IDENTIFICATION SIGNS TO READ: LEFT: _____ RIGHT: _____ <input type="checkbox"/> CUSTOM HEADER TO BE ADDED		
<p><small>CUSTOM HEADER SIGNS/LOGOS ARE \$60.00 BEFORE DEADLINE AND \$100.00 PER SIGN IF ORDERED AFTER DEADLINE DATE.</small></p> <p>PLEASE UPLOAD GRAPHIC FILES TO: http://file.ges.com</p> <p><small>ALL CARPET COLOURS SUBJECT TO AVAILABILITY. CARPET WILL BE INSTALLED CLEAN, SHOULD EXHIBITOR REQUIRE ADDITIONAL CLEANING AFTER SETUP, AN INITIAL CLEANING FEE WILL APPLY.</small></p>		

TERMS AND CONDITIONS

- DOES NOT INCLUDE LIGHTING OR ELECTRICAL SERVICE.
- NO REFUNDS/EXCHANGES ONCE SHOW MOVE-IN BEGINS.
- ALL CLAIMS OR DISCREPANCIES MUST BE SETTLED AT THE GES SERVICE CENTRE PRIOR TO SHOW CLOSING.
- ALL ORDERS RECEIVED AFTER DISCOUNT PRICE DATE WILL BE PROCESSED AT THE REGULAR PRICE.
- GES IS NOT RESPONSIBLE FOR EXHIBIT MATERIALS LEFT IN MODULAR EXHIBIT SYSTEM OR COUNTER STORAGE UNITS.
- CHANGES TO THE STRUCTURE DESIGN OR GRAPHICS WILL RESULT IN ADDITIONAL FEES.
- EXHIBITOR IS RESPONSIBLE FOR ALL ITEMS DURING THE DURATION OF THE SHOW.

I HAVE READ AND UNDERSTAND THE TERMS & CONDITIONS OF MY AGREEMENT WITH GES.

SUBTOTAL	
GST 5%	
TOTAL	
INCLUDE TOTAL FROM THIS PAGE ON ORDER CHECKLIST SHEET	

SIGNATURE

DATE



MODULAR EXHIBIT SYSTEM ORDER FORM

7730 - 34 Street NW, Edmonton, AB T6B 3J6 Phone: 780.469.7767 Fax: 780.469.1619 Toll Free: 877.505.7767 edmonton@ges.com

SHOW NAME: Western Manufacturing Technology Show
SHOW DATE: June 6 - 8, 2017

DISCOUNT PRICE DEADLINE DATE: Wednesday, May 17, 2017

EXHIBITOR INFORMATION

CREDIT CARD AUTHORIZATION

BOOTH #: _____

COMPANY: _____

STREET: _____

CITY: _____ PROV/STATE: _____ CODE: _____

EMAIL: _____

PHONE: _____ FAX: _____

CONTACT NAME: _____

NO ORDER WILL BE CONSIDERED FINAL UNTIL CREDIT CARD AUTHORIZATION FORM IS COMPLETED AND SUBMITTED WITH THIS FORM

ALL ORDERS MUST BE PREPAID IN FULL (ORDERS CANNOT BE PROCESSED UNTIL PAYMENT IS RECEIVED)

MODEL NUMBER	DISCOUNT PRICE	REGULAR PRICE	MODEL NUMBER	DISCOUNT PRICE	REGULAR PRICE
Model #1 - 10x10 Corner	\$1,181.00	\$1,653.50	Model #6 - 10x20 Inline	\$2,344.50	\$3,282.50
Model #2 - 10x10 Corner	\$1,269.50	\$1,777.50	Model #7 - 10x20 Inline	\$3,002.00	\$4,203.00
Model #3 - 10x10 Inline	\$1,359.50	\$1,903.00	Model #8 - 10x20 Inline	\$2,512.50	\$3,517.50
Model #4 - 10x10 Inline	\$1,616.00	\$2,262.00	Model #9 - 10x20 Inline	\$2,779.50	\$3,891.00
Model #5 - 10x10 Inline	\$1,727.00	\$2,418.00	Model #10 - 10x20 Corner	\$3,370.00	\$4,718.00

Package Includes : Installation & Dismantling, Choice of Carpet Colour, Choice of Panel Colour, Company Identification Sign

PACKAGE DOES NOT INCLUDE: Cleaning, Light Fixtures or Electrical Outlets

PLEASE COMPLETE THE FOLLOWING:

Model Number

Upgrade options available. Contact Exhibitor Services.

FONT COLOUR: BLACK

INFILL PANEL COLOUR: BLACK GREY WHITE BLUE RED

CARPET COLOUR: BLACK GREY BLUE GREEN RED

MODELS 1, 2, 3, 4, 5, 6, 8 OR 9 IDENTIFICATION SIGN TO READ: _____

MODELS 7 OR 10 IDENTIFICATION SIGN TO READ: LEFT: _____ RIGHT: _____

INDICATE DATE & TIME FOR ARRIVAL: _____

CUSTOM HEADER TO BE ADDED CUSTOM HEADER SIGNS/LOGOS ARE \$60.00 BEFORE DEADLINE AND \$100.00 PER SIGN IF ORDERED AFTER DEADLINE DATE.

ALL ORDERS MUST BE PREPAID IN FULL (ORDERS CAN NOT BE PROCESSED UNTIL PAYMENT IS RECEIVED)

TERMS AND CONDITIONS

PAYMENT MAY BE MADE BY CHEQUE UP TO TWO WEEKS PRIOR TO THE 1ST DAY OF MOVE IN.

ALL ORDERS RECEIVED AFTER THE DISCOUNT PRICE DATE WILL BE PROCESSED AT THE REGULAR PRICE.

EXHIBITOR IS RESPONSIBLE FOR ALL ITEMS FOR THE DURATION OF THE SHOW.

CHARGES ARE FOR RENTAL OF EQUIPMENT ONLY. ALL ITEMS REMAIN PROPERTY OF GES.

NO REFUNDS/EXCHANGES ONCE SHOW MOVE-IN BEGINS. ALL CLAIMS OR DISCREPENCIES MUST BE SETTLED PRIOR TO SHOW CLOSING.

GES IS NOT RESPONSIBLE FOR EXHIBIT MATERIALS LEFT IN MODULAR EXHIBIT SYSTEM OR COUNTER STORAGE UNITS.

CHANGES TO THE STRUCTURE DESIGN OR GRAPHICS WILL RESULT IN ADDITIONAL FEES.

SUBTOTAL	
GST 5%	
TOTAL	
INCLUDE TOTAL FROM THIS PAGE ON ORDER CHECKLIST SHEET	

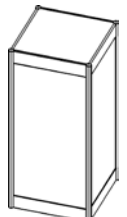
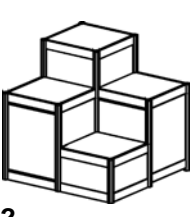
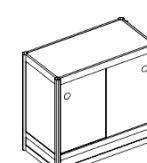
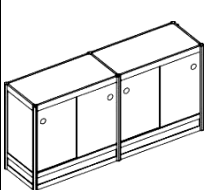
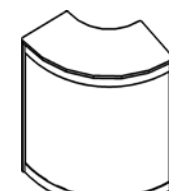
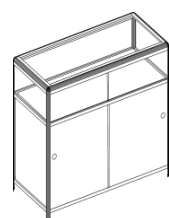
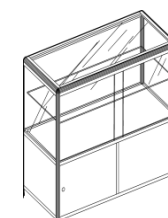
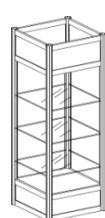
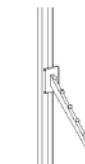
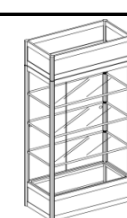
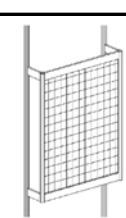

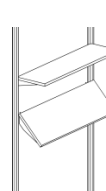

I HAVE READ AND UNDERSTAND THE TERMS & CONDITIONS OF MY AGREEMENT WITH GES.

SIGNATURE

DATE

7730 - 34 Street NW, Edmonton, AB T6B 3J6 Phone: 780.469.7767 Fax: 780.469.1619 Toll Free: 877.505.7767 edmonton@ges.com

SHOW NAME:	Western Manufacturing Technology Show	DISCOUNT PRICE	
SHOW DATE:	June 6 - 8, 2017	DEADLINE DATE:	Wednesday, May 17, 2017
EXHIBITOR INFORMATION		CREDIT CARD AUTHORIZATION	
BOOTH #: _____ COMPANY: _____ STREET: _____ CITY: _____ PROV/STATE: _____ CODE: _____ EMAIL: _____ PHONE: _____ FAX: _____ CONTACT NAME: _____		<p>NO ORDER WILL BE CONSIDERED FINAL UNTIL CREDIT CARD AUTHORIZATION FORM IS COMPLETED AND SUBMITTED WITH THIS FORM</p>	
ALL ORDERS MUST BE PREPAID IN FULL (ORDERS CANNOT BE PROCESSED UNTIL PAYMENT IS RECEIVED)			

QTY	#	DESCRIPTION	DISCOUNT	REGULAR	TOTAL					
	1	Pedestal 20"L x 20"W 28"H OR 36"H	\$91.50	\$128.00		1		2		
	2	Pedestal 40"L x 40"W	\$458.50	\$642.00				3		
	3	Storage Counter 40"L X 20"W X 40"H	\$139.50	\$195.50				4		
	4	Storage Counter 80"L x 20"W x 40"H	\$272.50	\$381.50						
	5	Curved Counter 60"L x 20"W x 40"H	\$187.00	\$262.00		5		6		
	6	99A Showcase 36"L x 20"W x 40"H	\$187.00	\$262.00				7		
	7	99B Showcase 36"L x 20"W x 40"H	\$190.50	\$266.50				8		
	8	99C Showcase 26"L x 26"W x 96"H	\$276.00	\$386.00						
	9	99D Showcase 40"L x 20"W x 96"H	\$390.00	\$546.00						
QTY	#	DESCRIPTION	DISCOUNT	REGULAR	TOTAL					
	A	Waterfall with Eight Balls	\$18.50	\$25.50				A		
	B	Grid Panels - 38" W x 44"H Panels	\$128.00	\$179.50		9		B		
	C	Garment Rail 39"W	\$47.50	\$66.50				C		
	D	Shelves, Flat or Angled 37"L x 12"W	\$40.00	\$56.00						
	E	Slatwall Panels - 37"W x 96"H Grey	\$110.50	\$154.50						
ADDITIONAL ITEMS NOT SHOWN						D		E		Accessories A to E are designed to fit GES Hardwall Only All Units Include White Panels
		Ballot Bin - 20"L X 20"W X 36"H	\$120.00	\$168.00		Please attach diagram of booth indicating locations for grid panels and / or slatwall. Grid panels CANNOT be installed in corners.				
		Computer Counter	\$158.00	\$221.00						

TERMS AND CONDITIONS

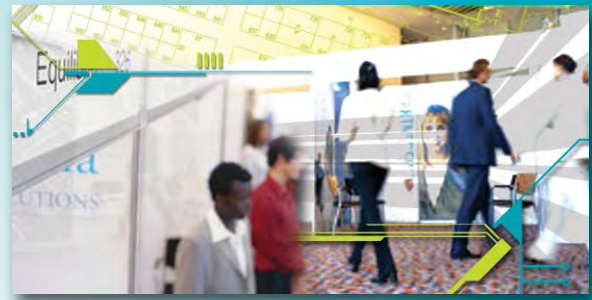
- DOES NOT INCLUDE LIGHTING OR ELECTRICAL SERVICE.
- NO REFUNDS/EXCHANGES ONCE SHOW MOVE-IN BEGINS.
- ALL CLAIMS OR DISCREPANCIES MUST BE SETTLED AT THE GES SERVICE CENTRE PRIOR TO SHOW CLOSING.
- ALL ORDERS RECEIVED AFTER DISCOUNT PRICE DATE WILL BE PROCESSED AT THE REGULAR PRICE.
- GES IS NOT RESPONSIBLE FOR EXHIBIT MATERIALS LEFT IN MODULAR EXHIBIT SYSTEM OR COUNTER STORAGE UNITS.
- CHANGES TO THE STRUCTURE DESIGN OR GRAPHICS WILL RESULT IN ADDITIONAL FEES.
- EXHIBITOR IS RESPONSIBLE FOR ALL ITEMS DURING THE DURATION OF THE SHOW.

I HAVE READ AND UNDERSTAND THE TERMS & CONDITIONS OF MY AGREEMENT WITH GES.

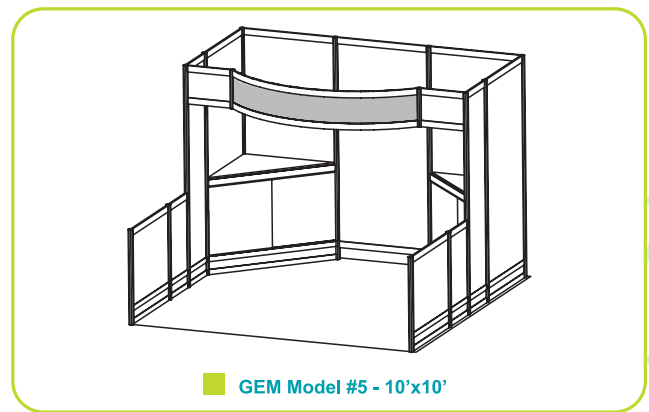
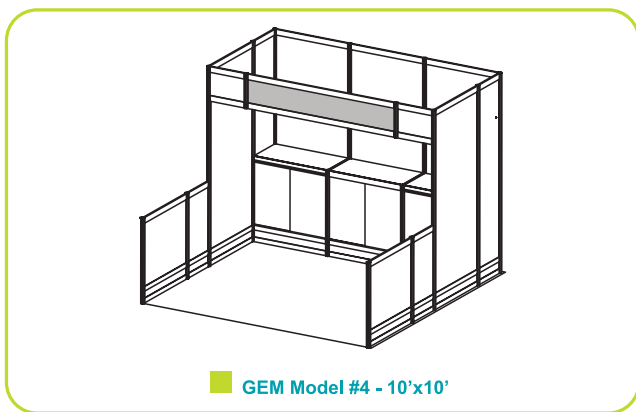
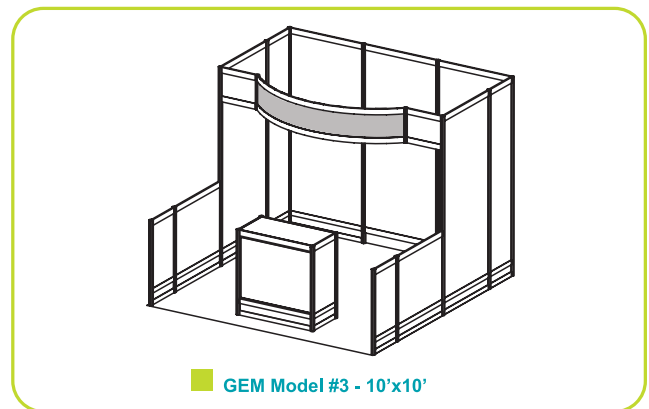
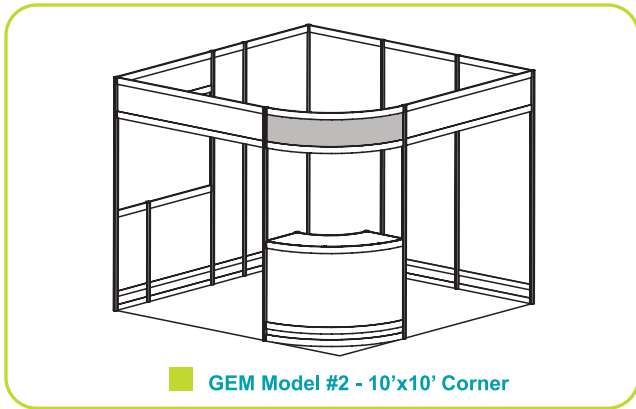
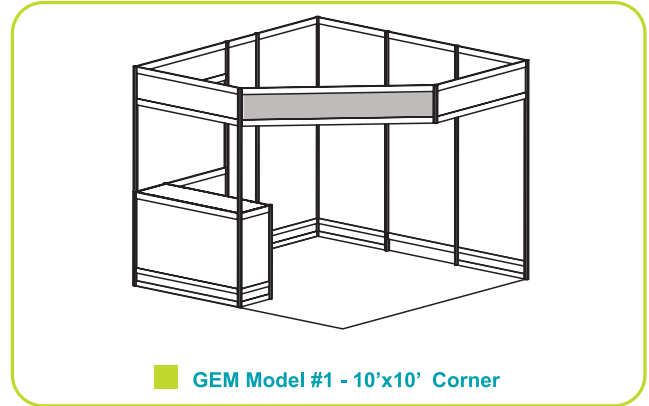
SUBTOTAL	
GST 5%	
TOTAL	
INCLUDE TOTAL FROM THIS PAGE ON ORDER CHECKLIST SHEET	

SIGNATURE

DATE



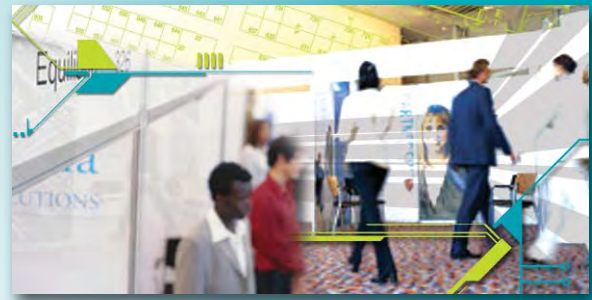
standard exhibit rentals



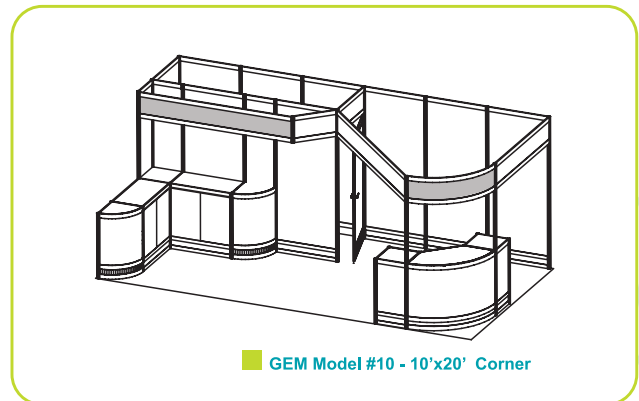
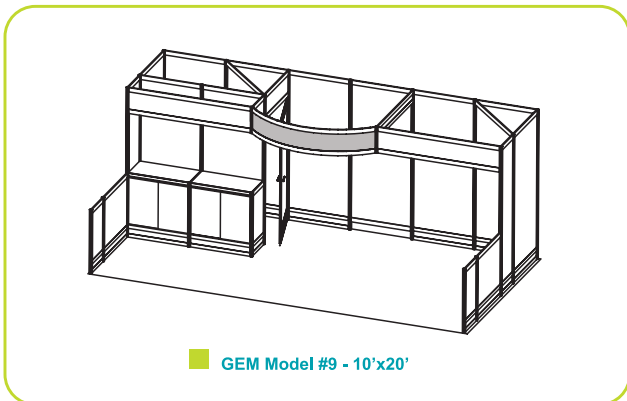
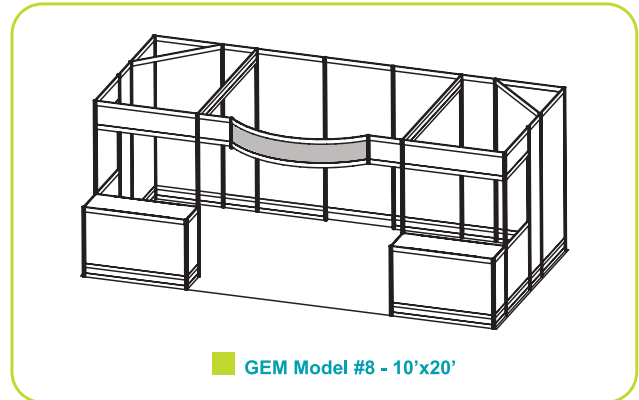
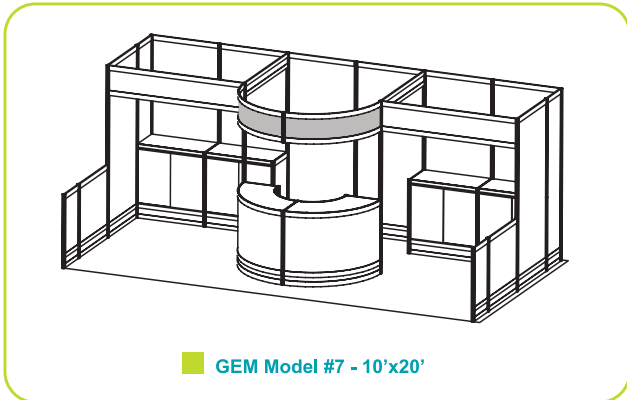
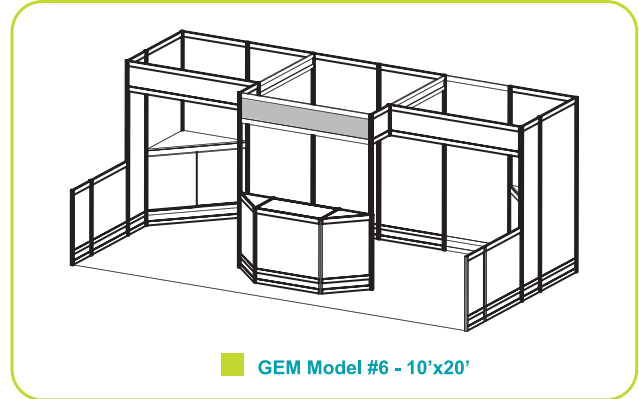
3 Easy Steps

- 1 Select the model number that suits your needs
- 2 Choose carpet and panel colours on the GEM Exhibit Rental order form
- 3 Complete & send order form

Grey indicates standard header sign(s)



standard exhibit rentals



3 Easy Steps →

- ① Select the model number that suits your needs
- ② Choose carpet and panel colours on the GEM Exhibit Rental order form
- ③ Complete & send order form

Grey indicates standard header sign(s)



GRAPHICS ORDER FORM

7730 - 34 Street NW, Edmonton, AB T6B 3J6 Phone: 780.469.7767 Fax: 780.469.1619 Toll Free: 877.505.7767 edmonton@ges.com

SHOW NAME: Western Manufacturing Technology Show
SHOW DATE: June 6 - 8, 2017

DISCOUNT PRICE DEADLINE DATE: Wednesday, May 17, 2017

EXHIBITOR INFORMATION

CREDIT CARD AUTHORIZATION

BOOTH #: _____

COMPANY: _____

STREET: _____

CITY: _____ PROV/STATE: _____ CODE: _____

EMAIL: _____

PHONE: _____ FAX: _____

CONTACT NAME: _____

NO ORDER WILL BE CONSIDERED FINAL UNTIL CREDIT CARD AUTHORIZATION FORM IS COMPLETED AND SUBMITTED WITH THIS FORM

ALL ORDERS MUST BE PREPAID IN FULL (ORDERS CANNOT BE PROCESSED UNTIL PAYMENT IS RECEIVED)

SIGN LAYOUT	QTY	SIGN SIZES	DISCOUNT PRICE	REGULAR PRICE
		11" x 14"	\$45.50	\$63.50
		14" x 22"	\$64.00	\$89.50
		22" x 28"	\$99.50	\$139.50
		7" x 44"	\$64.00	\$89.50
		28" x 44"	\$170.50	\$238.50
		40" x 60"	\$259.50	\$363.50
			Layout & Design Work / Hour	\$67.00

CUSTOM ARTWORK / LOGOS MUST BE ORDERED NO LATER THAN 5 BUSINESS DAYS PRIOR TO FIRST DAY OF MOVE-IN

PLEASE PRINT OR TYPE THE TEXT REQUIRED:

Blank area for printing or typing required text.

PLEASE INDICATE FONT TYPE: _____

ALL SIGNS MUST BE PICKED UP FROM OUR ON-SITE EXHIBITOR SERVICES DESK

Custom sizes available - Call for quotation.

TERMS AND CONDITIONS

ALL ORDERS RECEIVED AFTER THE DISCOUNT PRICE DATE WILL BE PROCESSED AT THE REGULAR PRICE.
THERE ARE NO REFUNDS / EXCHANGES ON SIGNS UNLESS ERROR LIES WITH GES PRODUCTION.
NO REFUNDS/EXCHANGES ONCE SHOW MOVE-IN BEGINS. ALL CLAIMS OR DISCREPENCIES MUST BE SETTLED PRIOR TO SHOW CLOSING.

Please upload Graphics to <https://file.ges.com/>

I HAVE READ AND UNDERSTAND THE TERMS & CONDITIONS OF MY AGREEMENT WITH GES.

SUBTOTAL	
GST 5%	
TOTAL	
INCLUDE TOTAL FROM THIS PAGE ON ORDER CHECKLIST SHEET	

SIGNATURE

DATE



LABOUR SERVICE ORDER FORM

7730 - 34 Street NW, Edmonton, AB T6B 3J6 Phone: 780.469.7767 Fax: 780.469.1619 Toll Free: 877.505.7767 edmonton@ges.com

SHOW NAME:	Western Manufacturing Technology Show	DISCOUNT PRICE DEADLINE DATE:	Wednesday, May 17, 2017
SHOW DATE:	June 6 - 8, 2017		

EXHIBITOR INFORMATION	CREDIT CARD AUTHORIZATION
BOOTH #: _____ COMPANY: _____ STREET: _____ CITY: _____ PROV/STATE: _____ CODE: _____ EMAIL: _____ PHONE: _____ FAX: _____ CONTACT NAME: _____	<p>NO ORDER WILL BE CONSIDERED FINAL UNTIL CREDIT CARD AUTHORIZATION FORM IS COMPLETED AND SUBMITTED WITH THIS FORM</p>

**ALL ORDERS MUST BE PREPAID IN FULL
(ORDERS CANNOT BE PROCESSED UNTIL PAYMENT IS RECEIVED)**

LABOUR RATES LISTED ARE PER PERSON PER HOUR AT A **MINIMUM CHARGE OF ONE (1) HOUR**. LABOUR OVER ONE (1) HOUR IS CHARGED IN HALF (1/2) HOUR INCREMENTS.

A 40% SURCHARGE WILL BE APPLIED TO ONSITE ORDERS

STRAIGHT TIME Monday - Friday 8:00am - 4:00pm	DISCOUNT PRICE: \$101.75 REGULAR PRICE: \$142.50	OVERTIME Monday - Friday 4:00pm - 8:00am Saturday - Sunday	DISCOUNT PRICE: \$151.50 REGULAR PRICE: \$212.00
--	---	--	---

EXHIBITOR MUST REPORT TO GES SERVICE CENTRE TO RECEIVE THEIR LABOUR

INSTALLATION	Set up Drawings or Photos Attached: <input type="checkbox"/> YES <input type="checkbox"/> NO
Carrier: _____	Delivery Date : _____ (Day/Date/Month/Year)
	Delivery time: _____ (indicate am or pm)
SUPERVISION	<input type="checkbox"/> By Exhibitor (Provide Name of Rep) (Exhibitor MUST be Present to Supervise) <input type="checkbox"/> By GES (30% Surcharge Applies) (Exhibitor Does not have to be present)
Date Labour Required: _____ (Day/ Date/Month/Year)	Start time Required: _____ <input type="checkbox"/> AM <input type="checkbox"/> PM
Number of People Required: <input type="text"/>	X Hours Per Person <input type="text"/> = Total Hours <input type="text"/>

DISMANTLING	Carrier: _____	Delivery Date : _____ (Day/Date/Month/Year)	Delivery time: _____ (indicate am or pm)
SUPERVISION	<input type="checkbox"/> By Exhibitor (Provide Name of Rep) (Exhibitor MUST be Present to Supervise) <input type="checkbox"/> By GES (30% Surcharge Applies) (Exhibitor Does not have to be present)		
Date Labour Required: _____ (Day/ Date/Month/Year)	Start time Required: _____ <input type="checkbox"/> AM <input type="checkbox"/> PM		
Number of People Required: <input type="text"/>	X Hours Per Person <input type="text"/> = Total Hours <input type="text"/>		

TERMS AND CONDITIONS

WHEN EXHIBITOR IS SUPERVISING LABOUR THE EXHIBITOR MUST CHECK LABOUR IN AND OUT AT THE GES SERVICE CENTRE.

WE RESERVE THE RIGHT TO CHANGE LABOURERS AND/OR RATES AS SHIFTS CHANGE.

ALL CLAIMS OR DISCREPANCIES MUST BE SETTLED AT THE GES SERVICE CENTRE PRIOR TO SHOW CLOSING.

UNCANCELLED LABOUR WILL BE CHARGED A MINIMUM FEE OF 1 HOUR PER PERSON.

GES LIMITS OF LIABILITY APPLY

SUBTOTAL	
GST 5%	
TOTAL	
INCLUDE TOTAL FROM THIS PAGE ON ORDER CHECKLIST SHEET	

I HAVE READ AND UNDERSTAND THE TERMS & CONDITIONS OF MY AGREEMENT WITH GES.

SIGNATURE

DATE



ATTENTION EXHIBITORS

EMPTY CRATE STORAGE PROGRAM

SME provides storage of empty crates at this trade show free of charge. This specifically covers taking away your empty crates to storage once you are set up, and returning those crates to your booth when the show closes for move-out.

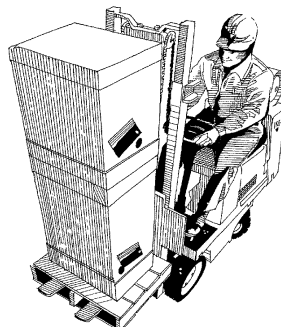
FORKLIFT SERVICE INFORMATION

SME's empty crate storage program **does not** include the following services:

- * UNLOADING OF AN EXHIBITOR'S TRUCK/VEHICLE
- * MOVING OF THE EXHIBITOR'S EQUIPMENT TO THE BOOTH
- * MOVING THE EXHIBITOR'S EQUIPMENT TO THE LOADING DOCK
- * LOADING THE EXHIBITOR'S TRUCK/VEHICLE

If you require this service, please complete **GES Material Handling Order Form** and return it by fax to **GES** by **May 17, 2017**

Should you need this service and not complete the **Material Handling Order Form**, **GES** will provide the service at Show Managements direction and invoice you on site.





**MATERIAL HANDLING
(up to 5,000 LBS.)
ORDER FORM**

7730 - 34 Street NW, Edmonton, AB T6B 3J6

Phone: 780.469.7767

Fax: 780.469.1619

Toll Free: 877.505.7767

edmonton@ges.com www.gesexpo.ca

SHOW: Western Manufacturing Technology Show	DISCOUNT PRICE DEADLINE DATE: May 17, 2017										
EXHIBITOR INFORMATION	CREDIT CARD AUTHORIZATION										
BOOTH #: _____	<input type="checkbox"/> MASTERCARD <input type="checkbox"/> VISA <input type="checkbox"/> AMEX										
COMPANY _____	<table border="1"> <tr> <td> </td><td> </td><td> </td><td> </td><td> </td><td> </td><td> </td><td> </td><td> </td><td> </td> </tr> </table>										
STREET _____	EXPIRY DATE ____ / ____										
CITY _____ PROV/STATE _____ CODE _____	CARDHOLDER NAME _____										
E-MAIL _____	CARDHOLDER SIGNATURE _____										
PHONE _____ FAX _____	<input type="checkbox"/> CHEQUE ATTACHED (PAYABLE TO GES CANADA)										
CONTACT NAME _____											

CREDIT CARD AUTHORIZATION (ABOVE) MUST BE COMPLETED AS METHOD OF PAYMENT FOR THIS SERVICE

MATERIAL HANDLING SERVICE WILL BE AVAILABLE TO ASSIST EXHIBITORS WITH IN AND OUT HANDLING OF EXHIBITOR MATERIALS AT A **MINIMUM CHARGE OF ONE HOUR** PER SHIPMENT PER FORKLIFT DRIVER. SERVICES OVER 1 HOUR WILL BE CHARGED IN 1/2 HOUR INCREMENTS. (INCLUDES MOVE-IN AND MOVE-OUT).

THIS SERVICE IS NOT PAID FOR BY SHOW MANAGEMENT

ALL RATES INCLUDE FORKLIFT AND DRIVER (5% GST IS APPLICABLE)

Regular Rate Per Hour: \$198.00 Monday - Friday 8:00am - 4:00pm
--

Overtime Rate Per Hour: \$251.00 Monday - Friday Saturday - Sunday 4:00pm - 8:00am
--

A 30% SURCHARGE WILL APPLY TO THE FOLLOWING:

- Shipments that are uncrated, stacked, pad-wrapped or contain loose pieces.
- Material Handling orders placed on-site.

PLEASE COMPLETE THE FOLLOWING:

Goods are scheduled for delivery to: Show Site

Date goods are scheduled to arrive: _____ Total Weight: lbs. kg.
Month/Day

Carrier Name: _____ Number of Pieces: _____

Terms & Conditions

- Collect shipments will not be accepted.
- GES is not responsible for concealed damage, damage to loose or inadequately packed shipments or loss of merchandise after delivery to booth.
- It is the exhibitor's responsibility to secure and maintain loss & damage insurance coverage for their exhibit properties.
- All claims or discrepancies must be settled at the GES Service Centre prior to show closing.
- GES Limits of Liability & Responsibility apply to this service.

SUBTOTAL	_____
5% GST	_____
TOTAL	_____

I have read and understand the Terms & Conditions of my Agreement with GES.

Signature

Date



**IN BOOTH FORKLIFT
(up to 5,000 LBS.)
ORDER FORM**

7730 - 34 Street NW, Edmonton, AB T6B 3J6

Phone: 780.469.7767

Fax: 780.469.1619

Toll Free: 877.505.7767

edmonton@ges.com www.gesexpo.ca

SHOW: Western Manufacturing Technology Show	DISCOUNT PRICE DEADLINE DATE: May 7, 2011										
EXHIBITOR INFORMATION	CREDIT CARD AUTHORIZATION										
BOOTH #: _____	<input type="checkbox"/> MASTERCARD <input type="checkbox"/> VISA <input type="checkbox"/> AMEX										
COMPANY _____	<table border="1"> <tr> <td> </td><td> </td><td> </td><td> </td><td> </td><td> </td><td> </td><td> </td><td> </td><td> </td> </tr> </table>										
STREET _____	EXPIRY DATE _____ / _____										
CITY _____ PROV/STATE _____ CODE _____	CARDHOLDER NAME _____										
E-MAIL _____	CARDHOLDER SIGNATURE _____										
PHONE _____ FAX _____	<input type="checkbox"/> CHEQUE ATTACHED (PAYABLE TO GES CANADA)										
CONTACT NAME _____											

CREDIT CARD AUTHORIZATION (ABOVE) MUST BE COMPLETED AS METHOD OF PAYMENT FOR THIS SERVICE

IN-BOOTH FORKLIFT SERVICE IS AVAILABLE TO EXHIBITORS REQUIRING ASSISTANCE WITH POSITIONING OF EXHIBITOR MATERIALS WITHIN YOUR BOOTH SPACE. **MINIMUM CHARGE OF 1 HOUR PER ORDER. (INCLUDES INSTALLATION AND DISMANTLING).**

THIS SERVICE IS NOT PAID FOR BY SHOW MANAGEMENT

Regular Rate Per Hour: \$198.00
Monday - Friday
8:00am - 4:00pm

Overtime Rate Per Hour: \$251.00
Monday - Friday Saturday - Sunday
4:00pm - 8:00am

**A 30% SURCHARGE WILL BE APPLIED TO ON-SITE ORDERS.
ALL RATES INCLUDE FORKLIFT AND DRIVER (5% GST IS APPLICABLE)**

PLEASE COMPLETE THE FOLLOWING:

SUPERVISOR NAME: _____ (EXHIBITOR MUST BE PRESENT TO SUPERVISE)

INSTALLATION TIME REQUIRED: _____ Day _____ Date _____ Month _____ # of Hours _____ # of Forklifts

DISMANTLING TIME REQUIRED: _____ Day _____ Date _____ Month _____ # of Hours _____ # of Forklifts

APPROXIMATE TIMES:

MOVE-IN Start: _____ am pm Finish: _____ am pm Total Hours: _____

MOVE-OUT Start: _____ am pm Finish: _____ am pm Total Hours: _____

SERVICES OVER 1 HOUR MINIMUM WILL BE CHARGED IN 1/2 HOUR INCREMENTS PER FORKLIFT.

Terms & Conditions

- Exhibitor must check forklift/driver in and out at the GES Service Centre.
- We reserve the right to change labourers and/or rates as shifts change.
- All claims or discrepancies must be settled within one week of show closing.
- GES Limits of Liability apply.

SUBTOTAL	_____
5 %GST	_____
TOTAL	_____

I have read and understand the Terms & Conditions of my Agreement with GES.

Signature

Date



**Heavy Machinery Handling
(single machine(s) over 5,000LBS.)
ORDER FORM**

7730 - 34 Street NW, Edmonton, AB T6B 3J6

Phone: 780.469.7767

Fax: 780.469.1619

Toll Free: 877.505.7767

edmonton@ges.com www.gesexpo.ca

SHOW: Western Manufacturing Technology Show	DISCOUNT PRICE DEADLINE DATE: May 17, 2017
EXHIBITOR INFORMATION	CREDIT CARD AUTHORIZATION
BOOTH #: _____	<input type="checkbox"/> MASTERCARD <input type="checkbox"/> VISA <input type="checkbox"/> AMEX
COMPANY _____	<input type="checkbox"/> <input type="checkbox"/> <input type="checkbox"/> <input type="checkbox"/> <input type="checkbox"/> <input type="checkbox"/> <input type="checkbox"/> <input type="checkbox"/> <input type="checkbox"/> <input type="checkbox"/> <input type="checkbox"/> <input type="checkbox"/>
STREET _____	EXPIRY DATE ____/____/____
CITY _____ PROV/STATE _____ CODE _____	CARDHOLDER NAME _____
E-MAIL _____	CARDHOLDER SIGNATURE _____
PHONE _____ FAX _____	<input type="checkbox"/> CHEQUE ATTACHED (PAYABLE TO GES CANADA)
CONTACT NAME _____	

CREDIT CARD AUTHORIZATION (ABOVE) MUST BE COMPLETED AS METHOD OF PAYMENT FOR THIS SERVICE

<u>HEAVY MACHINERY HANDLING SERVICES:</u>	<u>REGULAR RATE PER HOUR</u>		<u>OVERTIME RATE PER HOUR</u>	
	Monday - Friday 8:00am - 4:00pm		Monday - Friday 4:00pm - 8:00am	Saturday - Sunday
Rigger/Millwright	\$122.00 per hour		\$180.00 per hour	
Forklift with Operator: (5,000lb - 15,000lb)	\$200.00 per hour		\$275.00 per hour	
Forklift with Operator: (15,000lb - 30,000lb)	\$280.00 per hour		\$361.00 per hour	
Forklift with Operator: (30,000lb - 40,000lb)	\$350.00 per hour		\$426.00 per hour	
Forklift with Operator: (40,000lb - 80,000lb)	\$540.00 per hour		\$809.00 per hour	

The following services are available to Exhibitors based on a minimum 2 man crew, for a 1 hour minimum each.

Additional Notes for Heavy Machinery Handling Orders:

1) All work will be performed with a minimum of a two-man crew, consisting of a forklift operator and foreman rigger.

To maintain a "Safety First" environment, heavy lifts, complex lifts and any lift requiring more than one forklift, will require additional manpower for a safe operation. Additional manpower will be assigned at the discretion of GES.

2) All Crews – One-hour minimum will apply.

SERVICES OVER 1 HOUR MINIMUM WILL BE CHARGED IN 1/2 HOUR INCREMENTS PER FORKLIFT.

Terms and Conditions

- Collect shipments will not be accepted.
- GES is not responsible for concealed damage, damage to loose or inadequately packed shipments or loss of merchandise after delivery to booth.
- It is the exhibitor's responsibility to secure and maintain loss & damage insurance coverage for their exhibit properties.
- All claims or discrepancies must be settled at the GES Service Centre prior to show closing.
- GES Limits of Liability & Responsibility apply to this service.

SUBTOTAL	_____
5% GST	_____
TOTAL	_____

I have read and understand the Terms & Conditions of my Agreement with GES CANADA.

Signature

Date

2017 WMTS MOVE - IN HEAVY EQUIPMENT REGISTER

LIST ONLY INDIVIDUAL PIECES OF EQUIPMENT WEIGHING OVER 5,000 LBS.
Deadline to submit form: Friday April 28, 2017

Machine Type	Weight	Height	Base		Crated		Skidded		Pre-Rigged	Special Instructions	Date/Time In (for office use only)
			Length (ft)	Width (ft)	Yes	No	Yes	No			
Company	Contact:										
Address	E-Mail:										
Postal/Zip Code:	Phone:										
Booth Number (s):	Fax:										
Booth Carpet Provided By (Please check one of the following):	<input type="checkbox"/>	GES				<input type="checkbox"/>	Independent company provided by exhibitor				

PLEASE FAX COMPLETED FORM TO:
FAX NUMBER: 780-469-1619

MOVE IN TIME WILL BE ALLOTTED ONLY WHEN COMPLETED FORM IS RECEIVED AT GES CANADA OFFICE
RETAIN A COPY OF COMPLETED FORMS FOR YOUR RECORDS

1. GES CANADA Exposition Services herein known as GES and its subcontractors shall not be responsible for damage to uncrated materials; materials improperly packed, glass breakage or concealed damage.

2. Relative to inbound shipments, there may be a lapse of time between the delivery of shipment(s) to the booth by GES or its subcontractors and the arrival of the Exhibitor's representative at the booth. Similarly, relative to outgoing shipment(s), it is possible that there will be a lapse of time between the completion of packing and the actual pick-up of materials from the booth for loading onto a carrier. It is understood that during such times the shipment(s) will be left in the booth unattended.

Therefore, it is agreed that GES and its subcontractors are not responsible for the loss or disappearance of Exhibitor's materials after the same have been delivered to Exhibitor's booth, nor are GES and its subcontractors responsible for Exhibitor's materials before they are picked up from the Exhibitor's booth for loading after the show. Consequently, all bills of lading covering outgoing shipment(s) submitted to GES or its subcontractors by Exhibitor will be checked at the time of pick-up from the booth and corrected where discrepancies exist.

3. GES and its subcontractors shall not be held liable for any damage incurred during the handling of equipment requiring special devices to properly load, place or reload unless advance notice has been given to GES in time to obtain the proper equipment.

4. GES and its subcontractors shall not be responsible for loss, delay or damage due to strikes, lockouts or work stoppages of any kind.

5. GES and its subcontractors shall not be responsible for ordinary wear and tear in handling of equipment, nor for loss or damage due to fire, theft, windstorm, water, vandalism, acts of God, mysterious disappearance or other causes beyond their control.

6. It is understood that GES and its subcontractors are not insurers. Insurance, if any, shall be obtained by the Exhibitor. Amounts payable to GES hereunder are based on the scope of the liability as herein set forth and are unrelated to the value of the Exhibitor's property. It is further understood and agreed that GES and its subcontractors do not provide for full liability should loss or damage occur. It is agreed that if GES or its subcontractors should be found liable for loss or damage to Exhibitor's equipment, the liability shall be limited to the specific article that was physically lost or damaged. Such liability shall be limited to a sum equal to \$0.30 per pound per article, with a maximum liability of \$50.00 per item or \$1,000.00 per shipment, whichever is less, as agreed upon damages and exclusive remedy. Provisions of this paragraph shall apply if loss or damage, regardless of cause or origin, results directly or indirectly to property through performance services to

Exhibitor's or from negligence, active or otherwise, by GES, its subcontractors or their employees.

7. GES and its subcontractors shall not be liable to any extent whatsoever for any actual, potential or assumed loss of profits or revenues or for any collateral costs that may result from any loss or damage to Exhibitor's materials which may make it impossible or impracticable to exhibit same.

8. Claims for loss or damage must be submitted to GES by the close of the show. No suit or action shall be brought against GES or its subcontractors more than one year after the cause of action.

9. The Exhibitor agrees, in connection with the receipt, handling, temporary storage and reloading of its materials, that GES and its subcontractors will provide these services as Exhibitor's agent and not as bailee or shipper. If any employee of GES or its subcontractors shall sign a delivery receipt, bill of lading or other document, we agree that GES or its subcontractor will do so as the Exhibitor's agent, and the Exhibitor accepts the responsibility thereof.

10. GES and its subcontractors shall not be liable for shipments received without receipts, freight bills or specified unit counts on receipts or freight bills, such as a courier or van lines. Such shipments will be delivered to booth without guarantee of piece count or condition.

11. Empty container labels will be available at the GES Service Centre. Affixing the labels is the sole responsibility of the Exhibitor or its representative. It is understood that these labels are used for EMPTY STORAGE ONLY, and GES and its subcontractors assume no responsibility for loss or damage to contents while containers are in storage or for mislabelled containers.

12. In order to expedite removal of materials from the show site, GES shall have the authority to change designated carriers, if such carriers do not pick up on time. Where no disposition is made by the Exhibitor, materials will be taken to a warehouse to await Exhibitor's shipping instructions, and the Exhibitor agrees to be responsible for payment of charges relating to such handling at the warehouse. GES assumes no liability as a result of such re-routing or handling.

13. The Exhibitor agrees, in the event of a dispute with GES or its subcontractors relative to any loss or damage to any of your materials or equipment, that the Exhibitor will not withhold payment in any amount due to GES for material handling services or any other services provided by GES or its subcontractors as an offset against the amount of the alleged loss or damage. Instead, the Exhibitor agrees to pay GES prior to the close of the show for all such charges and further agrees that any claim the Exhibitor may have against GES or its subcontractors shall be pursued independently by the Exhibitor as a completely separate transaction to be resolved on its own merits.

The consignment or delivery of a shipment to GES or its subcontractors by an Exhibitor or by any shipper on behalf of the Exhibitor shall be construed as an acceptance by such Exhibitor (and/or other shipper) of the terms and conditions set forth in Sections 1 through 13 above.

Be sure your materials are insured from the time they leave your firm until they are returned after the show. It is suggested that Exhibitors arrange all risk coverage. This can usually be done by riders to existing policies. Contact your insurance representative. Be sure your liability insurance is in effect during transit and return of your materials, during storage and at show site.

COMPLIMENTARY BOOTH DRAPERY

All exhibitors with in-line or peninsula booths can receive complimentary drapery for the back and sides of their exhibit space. To ensure that the correct requirements are met for your booth, this form must be submitted by **May 17, 2017** to confirm your order.

On-site orders for drapes may be subject to a \$50.00 surcharge, depending on availability.

Additional requirements such as drapery used to protect machines or enclose booths, are the responsibility and cost of the exhibitor and must be ordered directly through GES by using the correct GES order form.

**Standard drape colour for
Western Manufacturing Technology Show 2017 is Black**

Check ONE of the following:

- NO, we do not require draping for our booth
- YES, we require 8' high back drape and rails only
- YES, we require 3' high side drape and rails only (max. of 12 ft. of side rail only)
- YES, we require BOTH 8' high back drape AND 3' high side drape

FORM COMPLETED BY: _____

COMPANY: _____

ADDRESS: _____

CITY: _____ PROV: _____ POSTAL: _____

PHONE: () _____ FAX: () _____ BOOTH NO. _____

EMAIL, FAX OR MAIL NO LATER THAN **May 17, 2017** TO AVOID ON-SITE CHARGES.

Email: Edmonton@ges.com
Fax: 877-469-1619
Mail to:
GES CANADA
ATTN: Exhibitor Service Department
7730 – 34th Street NW
Edmonton, AB T6B 3J6

PLEASE DO NOT INCLUDE A COVER PAGE

Exhibit Layout Grid

To help you plan your exhibit, lay out your exhibit to scale on the following page. Below is an example showing what should be included on the grid. A copy of your layout should be sent to GES and your EAC, if applicable. Also notify GES of any special requirements that will need pre-show attention. Be sure to include your booth number on the grid and outline the perimeter of your exhibit in a heavy black line.

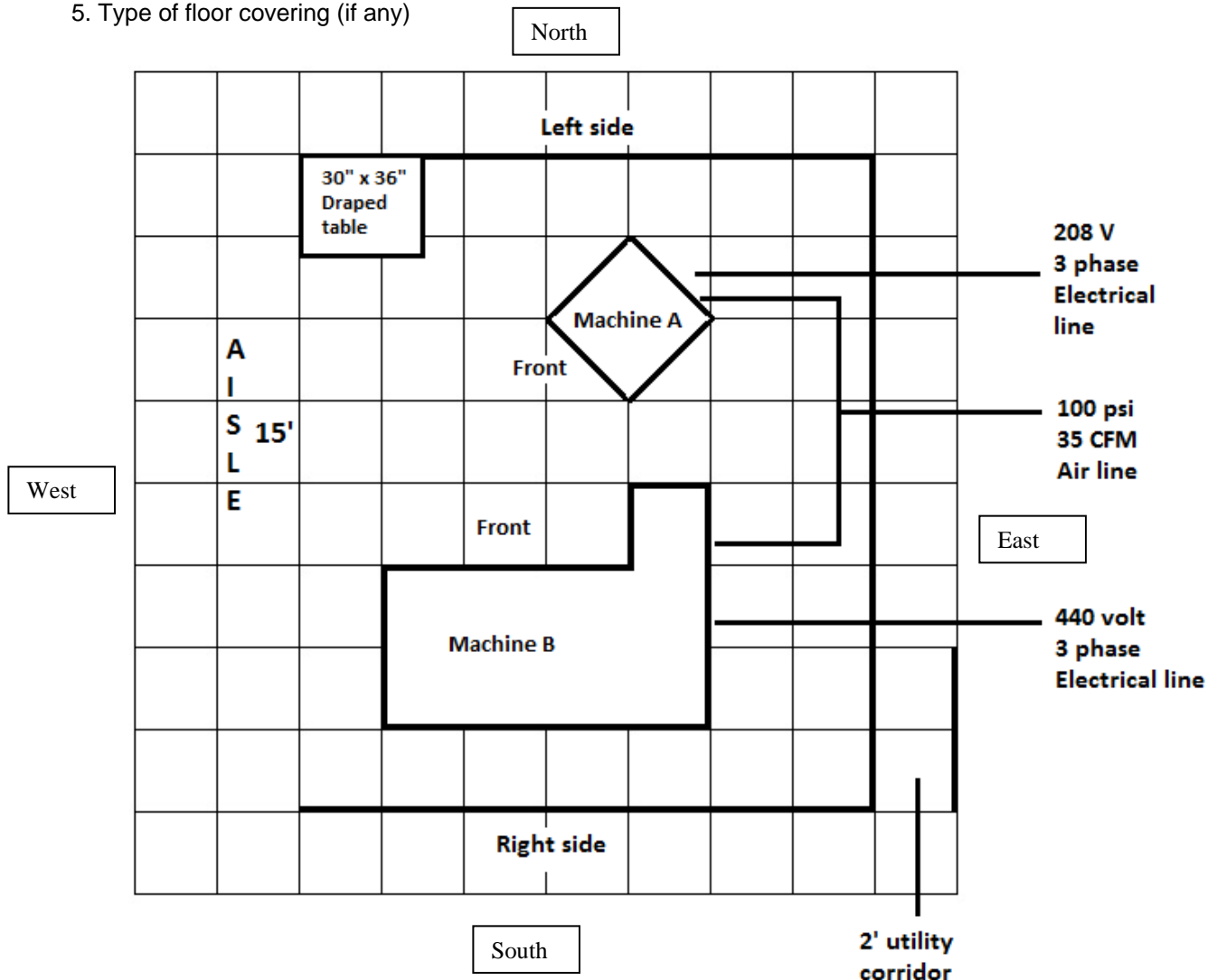
Please email your grid to Eric Isaksen at eisaksen@ges.com.

Company _____ Booth # _____

Person responsible _____ Scale: 1 square = _____

These items should be considered when planning your exhibit:

1. Machinery positions and viewing areas for demonstrations
2. Office or desk area and telephone location
3. Air, electrical and water lines
4. Walk thru traffic flow
5. Type of floor covering (if any)



Company _____ Booth # _____

Person responsible _____ Scale: 1 square = _____

